

CHOMAE
超迈切削工具

双螺旋 刀片舍弃式高速钻头
Turbodrill **TOD**

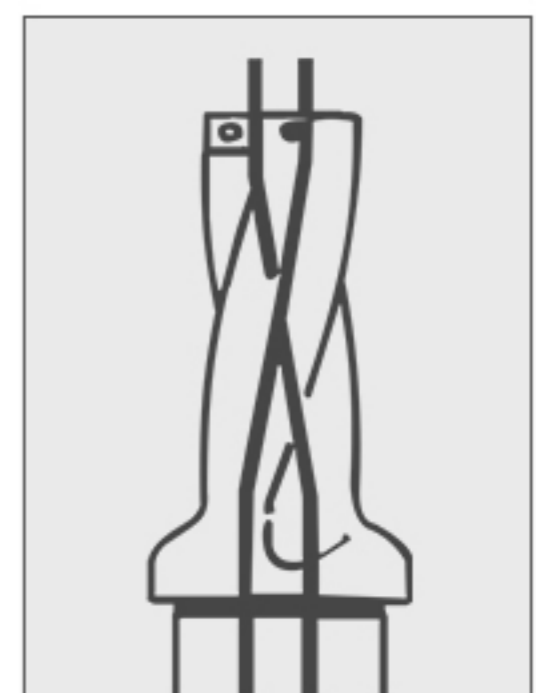
重新定义双螺旋U钻



双螺旋内冷孔和最优化的排屑槽设计保障顺畅排屑

高刚性、高精度钻杆本体使钻孔尺寸更加精准
钻杆表面的特殊表面处理提高耐磨、降低摩擦
钻杆规格2D~5D，12.0-50.0mm全规格覆盖
四刃U钻刀片保证经济性，内外相同刀片使用方便

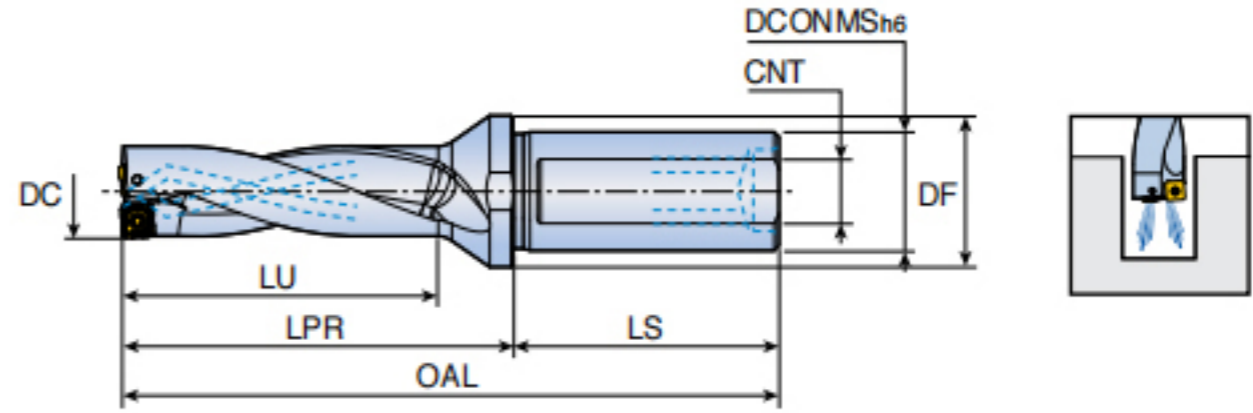
***刀片和刀杆 产品阵容不断扩充中**



TOD-2D TOD系列 2倍径

舍弃式钻杆 / U钻 / 快速钻

Indexable drill holders



Drilling depth: 2xdiameter

钻孔深度: 2x直径

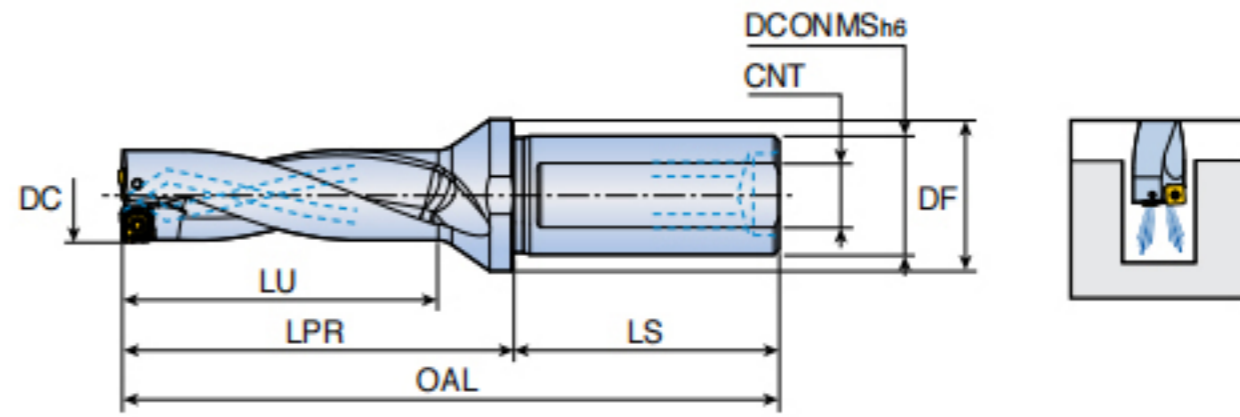
双螺旋内冷孔设计保障顺畅排屑
Helix type cooling hole accelerates smooth chip removal

型号 Designation	尺寸 Dimension (mm)								螺钉 Screw	扳手 Wrench	刀片 Insert
	DC	LU	LPR	LS	OAL	DF	DCONMS	CNT			
TOD-2D120-25-04	12.0	27	39	47	86						
TOD-2D125-25-04	12.5	28	40	47	87	24	25	G1/4	M1.8x4	T6	SO□□04
TOD-2D130-25-04	13.0	29	41	47	88						
TOD-2D135-25-04	13.5	30	42	47	89						
TOD-2D140-25-05	14.0	31	46	53	99						
TOD-2D145-25-05	14.5	32	47	53	100						
TOD-2D150-25-05	15.0	33	48	53	101	31	25	G1/4	M2.0x5	T6	SO□□05
TOD-2D155-25-05	15.5	34	49	53	102						
TOD-2D160-25-05	16.0	35	50	53	103						
TOD-2D165-25-06	16.5	36	51	53	104						
TOD-2D170-25-06	17.0	37	52	53	105						
TOD-2D175-25-06	17.5	38	53	53	106	31	25	G1/4	M2.2x6	T6	SO□□06
TOD-2D180-25-06	18.0	39	54	53	107						
TOD-2D185-25-06	18.5	40	55	53	108						
TOD-2D190-25-06	19.0	41	56	53	109						
TOD-2D195-25-07	19.5	42	57	53	110						
TOD-2D200-25-07	20.0	43	58	53	111						
TOD-2D205-25-07	20.5	44	59	53	112	31	25	G1/4	M2.2x6	T6	SO□□07
TOD-2D210-25-07	21.0	45	60	53	113						
TOD-2D215-25-07	21.5	46	61	53	114						
TOD-2D220-25-07	22.0	47	62	53	115						
TOD-2D225-25-08	22.5	48	63	53	116						
TOD-2D230-25-08	23.0	49	64	53	117						
TOD-2D235-25-08	23.5	50	65	53	118						
TOD-2D240-25-08	24.0	51	66	53	119	31	25	G1/4	M2.5x6	T8	SO□□08
TOD-2D245-25-08	24.5	52	67	53	120						
TOD-2D250-25-08	25.0	53	68	53	121						
TOD-2D255-25-08	25.5	54	69	53	122						
TOD-2D260-32-08	26.0	55	72	57	129	39	32				
TOD-2D265-32-09	26.5	56	73	57	130						
TOD-2D270-32-09	27.0	57	74	57	131						
TOD-2D275-32-09	27.5	58	75	57	132						
TOD-2D280-32-09	28.0	59	76	57	133						
TOD-2D285-32-09	28.5	60	77	57	134						
TOD-2D290-32-09	29.0	61	78	57	135	39	32	G1/4	M3.5x8	T10	SO□□09
TOD-2D295-32-09	29.5	62	79	57	136						
TOD-2D300-32-09	30.0	63	80	57	137						
TOD-2D305-32-09	30.5	64	81	57	138						
TOD-2D310-32-09	31.0	65	82	57	139						
TOD-2D315-32-09	31.5	66	83	57	140						
TOD-2D320-32-11	32.0	67	84	57	141						
TOD-2D325-32-11	32.5	68	85	57	142						
TOD-2D330-32-11	33.0	69	86	57	143						
TOD-2D335-32-11	33.5	70	87	57	144	39					
TOD-2D340-32-11	34.0	71	88	57	145						
TOD-2D345-32-11	34.5	72	89	57	146						
TOD-2D350-32-11	35.0	73	90	57	147						
TOD-2D355-32-11	35.5	74	91	57	148						
TOD-2D360-32-11	36.0	75	92	57	149	44					
TOD-2D365-32-11	36.5	76	93	57	150						
TOD-2D370-32-13	37.0	77	94	57	151						
TOD-2D375-32-13	37.5	78	95	57	152						
TOD-2D380-32-13	38.0	79	96	57	153						
TOD-2D385-32-13	38.5	80	97	57	154						
TOD-2D390-32-13	39.0	81	98	57	155	44	32				
TOD-2D395-32-13	39.5	82	99	57	156						
TOD-2D400-32-13	40.0	83	100	57	157						
TOD-2D405-32-13	40.5	84	101	57	158			G1/4	M4.0x10	T15	SO□□13
TOD-2D410-32-13	41.0	85	102	57	159						
TOD-2D415-32-13	41.5	86	103	57	160						
TOD-2D420-40-13	42.0	87	105	62	167						
TOD-2D425-40-13	42.5	88	106	62	168	49	40				
TOD-2D430-40-13	43.0	89	107	62	169						
TOD-2D435-40-13	43.5	90	108	62	170						
TOD-2D440-40-15	44.0	91	109	62	171						
TOD-2D445-40-15	44.5	92	110	62	172	49					
TOD-2D450-40-15	45.0	93	111	62	173						
TOD-2D455-40-15	45.5	94	112	62	174						
TOD-2D460-40-15	46.0	95	113	62	175						
TOD-2D465-40-15	46.5	96	114	62	176						
TOD-2D470-40-15	47.0	97	115	62	177						
TOD-2D475-40-15	47.5	98	116	62	178			G1/4	M5x12	T20	SO□□15
TOD-2D480-40-15	48.0	99	117	62	179	54					
TOD-2D485-40-15	48.5	100	118	62	180						
TOD-2D490-40-15	49.0	101	119	62	181						
TOD-2D495-40-15	49.5	102	120	62	182						
TOD-2D500-40-15	50.0	103	121	62	183						

TOD-3D TOD系列 3倍径

舍弃式钻杆 / U钻 / 快速钻

Indexable drill holders



Drilling depth: 3xdiameter

钻孔深度: 3x直径

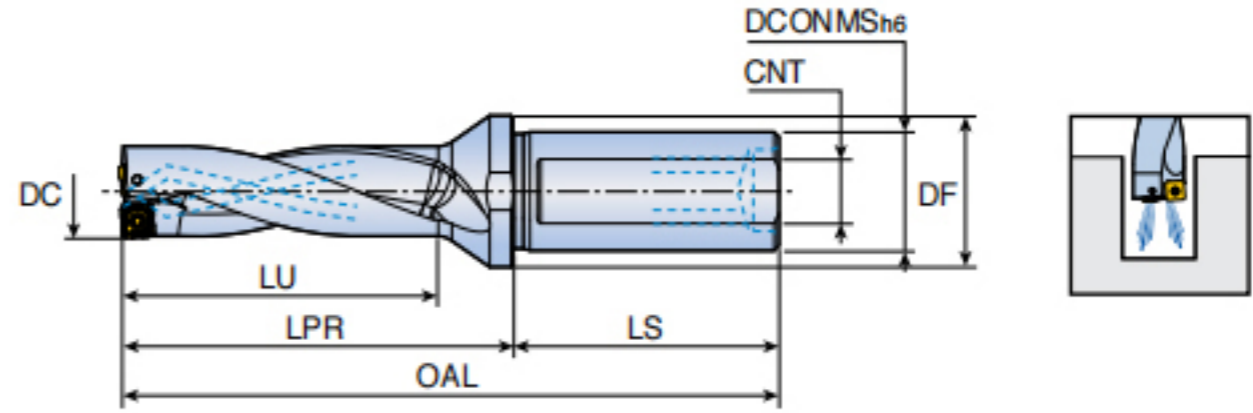
双螺旋内冷孔设计保障顺畅排屑
Helix type cooling hole accelerates smooth chip removal

型号 Designation	尺寸 Dimension (mm)								螺钉 Screw	扳手 Wrench	刀片 Insert
	DC	LU	LPR	LS	OAL	DF	DCONMS	CNT			
TOD-3D120-25-04	12.0	39.0	51.0	47	98.0						
TOD-3D125-25-04	12.5	40.5	52.5	47	99.5	24	25	G1/4	M1.8x4	T6	SO□□04
TOD-3D130-25-04	13.0	42.0	54.0	47	101.0						
TOD-3D135-25-04	13.5	43.5	55.5	47	102.5						
TOD-3D140-25-05	14.0	45.0	60.0	53	113.0						
TOD-3D145-25-05	14.5	46.5	61.5	53	114.5						
TOD-3D150-25-05	15.0	48.0	63.0	53	116.0	31	25	G1/4	M2.0x5	T6	SO□□05
TOD-3D155-25-05	15.5	49.5	64.5	53	117.5						
TOD-3D160-25-05	16.0	51.0	66.0	53	119.0						
TOD-3D165-25-06	16.5	52.5	67.5	53	120.5						
TOD-3D170-25-06	17.0	54.0	69.0	53	122.0						
TOD-3D175-25-06	17.5	55.5	70.5	53	123.5	31	25	G1/4	M2.2x6	T6	SO□□06
TOD-3D180-25-06	18.0	57.0	72.0	53	125.0						
TOD-3D185-25-06	18.5	58.5	73.5	53	126.5						
TOD-3D190-25-06	19.0	60.0	75.0	53	128.0						
TOD-3D195-25-07	19.5	61.5	76.5	53	129.5						
TOD-3D200-25-07	20.0	63.0	78.0	53	131.0						
TOD-3D205-25-07	20.5	64.5	79.5	53	132.5	31	25	G1/4	M2.2x6	T6	SO□□07
TOD-3D210-25-07	21.0	66.0	81.0	53	134.0						
TOD-3D215-25-07	21.5	67.5	82.5	53	135.5						
TOD-3D220-25-07	22.0	69.0	84.0	53	137.0						
TOD-3D225-25-08	22.5	70.5	85.5	53	138.5						
TOD-3D230-25-08	23.0	72.0	87.0	53	140.0						
TOD-3D235-25-08	23.5	73.5	88.5	53	141.5						
TOD-3D240-25-08	24.0	75.0	90.0	53	143.0	31	25	G1/4	M2.5x6	T8	SO□□08
TOD-3D245-25-08	24.5	76.5	91.5	53	144.5						
TOD-3D250-25-08	25.0	78.0	93.0	53	146.0						
TOD-3D255-25-08	25.5	79.5	94.5	53	147.5						
TOD-3D260-32-08	26.0	81.0	98.0	57	155.0	39	32				
TOD-3D265-32-09	26.5	82.5	99.5	57	156.5						
TOD-3D270-32-09	27.0	84.0	101.0	57	158.0						
TOD-3D275-32-09	27.5	85.5	102.5	57	159.5						
TOD-3D280-32-09	28.0	87.0	104.0	57	161.0						
TOD-3D285-32-09	28.5	88.5	105.5	57	162.5						
TOD-3D290-32-09	29.0	90.0	107.0	57	164.0	39	32	G1/4	M3.5x8	T10	SO□□09
TOD-3D295-32-09	29.5	91.5	108.5	57	165.5						
TOD-3D300-32-09	30.0	93.0	110.0	57	167.0						
TOD-3D305-32-09	30.5	94.5	111.5	57	168.5						
TOD-3D310-32-09	31.0	96.0	113.0	57	170.0						
TOD-3D315-32-09	31.5	97.5	114.5	57	171.5						
TOD-3D320-32-11	32.0	99.0	116.0	57	173.0						
TOD-3D325-32-11	32.5	100.5	117.5	57	174.5						
TOD-3D330-32-11	33.0	102.0	119.0	57	176.0	39	32	G1/4	M3.5x8	T10	SO□□11
TOD-3D335-32-11	33.5	103.5	120.5	57	177.5						
TOD-3D340-32-11	34.0	105.0	122.0	57	179.0						
TOD-3D345-32-11	34.5	106.5	123.5	57	180.5						
TOD-3D350-32-11	35.0	108.0	125.0	57	182.0						
TOD-3D355-32-11	35.5	109.5	126.5	57	183.5						
TOD-3D360-32-11	36.0	111.0	128.0	57	185.0	44					
TOD-3D365-32-11	36.5	112.5	129.5	57	186.5						
TOD-3D370-32-13	37.0	114.0	131.0	57	188.0						
TOD-3D375-32-13	37.5	115.5	132.5	57	189.5						
TOD-3D380-32-13	38.0	117.0	134.0	57	191.0						
TOD-3D385-32-13	38.5	118.5	135.5	57	192.5						
TOD-3D390-32-13	39.0	120.0	137.0	57	194.0	44	32				
TOD-3D395-32-13	39.5	121.5	138.5	57	195.5						
TOD-3D400-32-13	40.0	123.0	140.0	57	197.0						
TOD-3D405-32-13	40.5	124.5	141.5	57	198.5						
TOD-3D410-32-13	41.0	126.0	143.0	57	200.0						
TOD-3D415-32-13	41.5	127.5	144.5	57	201.5						
TOD-3D420-40-13	42.0	129.0	147.0	62	209.0						
TOD-3D425-40-13	42.5	130.5	148.5	62	210.5	49	40				
TOD-3D430-40-13	43.0	132.0	150.0	62	212.0						
TOD-3D435-40-13	43.5	133.5	151.5	62	213.5						
TOD-3D440-40-15	44.0	135.0	153.0	62	215.0						
TOD-3D445-40-15	44.5	136.5	154.5	62	216.5	49					
TOD-3D450-40-15	45.0	138.0	156.0	62	218.0						
TOD-3D455-40-15	45.5	139.5	157.5	62	219.5						
TOD-3D460-40-15	46.0	141.0	159.0	62	221.0						
TOD-3D465-40-15	46.5	142.5	160.5	62	222.5						
TOD-3D470-40-15	47.0	144.0	162.0	62	224.0						
TOD-3D475-40-15	47.5	145.5	163.5	62	225.5						
TOD-3D480-40-15	48.0	147.0	165.0	62	227.0	54	40	G1/4	M5x12	T20	SO□□15
TOD-3D485-40-15	48.5	148.5	166.5	62	228.5						
TOD-3D490-40-15	49.0	150.0	168.0	62	230.0						
TOD-3D495-40-15	49.5	151.5	169.5	62	231.5						
TOD-3D500-40-15	50.0	153.0	171.0	62	233.0						

TOD-4D TOD系列 4倍径

舍弃式钻杆 / U钻 / 快速钻

Indexable drill holders



Drilling depth: 4xdiameter

钻孔深度: 4x直径

双螺旋内冷孔设计保障顺畅排屑

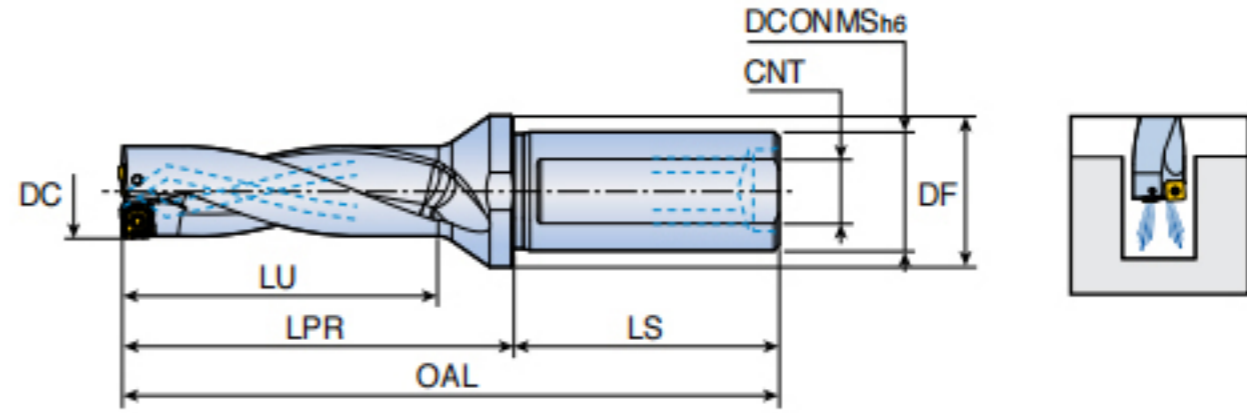
Helix type cooling hole accelerates smooth chip removal

型号 Designation	尺寸 Dimension (mm)									螺钉 Screw	扳手 Wrench	刀片 Insert
	DC	LU	LPR	LS	OAL	DF	DCONMS	CNT				
TOD-4D120-25-04	12.0	51	63	47	110							
TOD-4D125-25-04	12.5	53	65	47	112	24	25	G1/4	M1.8x4	T6	SO□□04	
TOD-4D130-25-04	13.0	55	67	47	114							
TOD-4D135-25-04	13.5	57	69	47	116							
TOD-4D140-25-05	14.0	59	74	53	127							
TOD-4D145-25-05	14.5	61	76	53	129							
TOD-4D150-25-05	15.0	63	78	53	131	31	25	G1/4	M2.0x5	T6	SO□□05	
TOD-4D155-25-05	15.5	65	80	53	133							
TOD-4D160-25-05	16.0	67	82	53	135							
TOD-4D165-25-06	16.5	69	84	53	137							
TOD-4D170-25-06	17.0	71	86	53	139							
TOD-4D175-25-06	17.5	73	88	53	141	31	25	G1/4	M2.2x6	T6	SO□□06	
TOD-4D180-25-06	18.0	75	90	53	143							
TOD-4D185-25-06	18.5	77	92	53	145							
TOD-4D190-25-06	19.0	79	94	53	147							
TOD-4D195-25-07	19.5	81	96	53	149							
TOD-4D200-25-07	20.0	83	98	53	151							
TOD-4D205-25-07	20.5	85	100	53	153	31	25	G1/4	M2.2x6	T6	SO□□07	
TOD-4D210-25-07	21.0	87	102	53	155							
TOD-4D215-25-07	21.5	89	104	53	157							
TOD-4D220-25-07	22.0	91	106	53	159							
TOD-4D225-25-08	22.5	93	108	53	161							
TOD-4D230-25-08	23.0	95	110	53	163							
TOD-4D235-25-08	23.5	97	112	53	165							
TOD-4D240-25-08	24.0	99	114	53	167	31	25	G1/4	M2.5x6	T8	SO□□08	
TOD-4D245-25-08	24.5	101	116	53	169							
TOD-4D250-25-08	25.0	103	118	53	171							
TOD-4D255-25-08	25.5	105	120	53	173							
TOD-4D260-32-08	26.0	107	124	57	181	39	32					
TOD-4D265-32-09	26.5	109	126	57	183							
TOD-4D270-32-09	27.0	111	128	57	185							
TOD-4D275-32-09	27.5	113	130	57	187							
TOD-4D280-32-09	28.0	115	132	57	189							
TOD-4D285-32-09	28.5	117	134	57	191							
TOD-4D290-32-09	29.0	119	136	57	193	39	32	G1/4	M3.5x8	T10	SO□□09	
TOD-4D295-32-09	29.5	121	138	57	195							
TOD-4D300-32-09	30.0	123	140	57	197							
TOD-4D305-32-09	30.5	125	142	57	199							
TOD-4D310-32-09	31.0	127	144	57	201							
TOD-4D315-32-09	31.5	129	146	57	203							
TOD-4D320-32-11	32.0	131	148	57	205							
TOD-4D325-32-11	32.5	133	150	57	207							
TOD-4D330-32-11	33.0	135	152	57	209							
TOD-4D335-32-11	33.5	137	154	57	211	39						
TOD-4D340-32-11	34.0	139	156	57	213							
TOD-4D345-32-11	34.5	141	158	57	215							
TOD-4D350-32-11	35.0	143	160	57	217							
TOD-4D355-32-11	35.5	145	162	57	219							
TOD-4D360-32-11	36.0	147	164	57	221	44						
TOD-4D365-32-11	36.5	149	166	57	223							
TOD-4D370-32-13	37.0	151	168	57	225							
TOD-4D375-32-13	37.5	153	170	57	227							
TOD-4D380-32-13	38.0	155	172	57	229							
TOD-4D385-32-13	38.5	157	174	57	231							
TOD-4D390-32-13	39.0	159	176	57	233	44	32					
TOD-4D395-32-13	39.5	161	178	57	235							
TOD-4D400-32-13	40.0	163	180	57	237							
TOD-4D405-32-13	40.5	165	182	57	239			G1/4	M4.0x10	T15	SO□□13	
TOD-4D410-32-13	41.0	167	184	57	241							
TOD-4D415-32-13	41.5	169	186	57	243							
TOD-4D420-40-13	42.0	171	189	62	251							
TOD-4D425-40-13	42.5	173	191	62	253	49	40					
TOD-4D430-40-13	43.0	175	193	62	255							
TOD-4D435-40-13	43.5	177	195	62	257							
TOD-4D440-40-15	44.0	179	197	62	259							
TOD-4D445-40-15	44.5	181	199	62	261	49						
TOD-4D450-40-15	45.0	183	201	62	263							
TOD-4D455-40-15	45.5	185	203	62	265							
TOD-4D460-40-15	46.0	187	205	62	267							
TOD-4D465-40-15	46.5	189	207	62	269							
TOD-4D470-40-15	47.0	191	209	62	271							
TOD-4D475-40-15	47.5	193	211	62	273			G1/4	M5x12	T20	SO□□15	
TOD-4D480-40-15	48.0	195	213	62	275	54						
TOD-4D485-40-15	48.5	197	215	62	277							
TOD-4D490-40-15	49.0	199	217	62	279							
TOD-4D495-40-15	49.5	201	219	62	281							
TOD-4D500-40-15	50.0	203	221	62	283							

TOD-5D TOD系列 5倍径

舍弃式钻杆 / U钻 / 快速钻

Indexable drill holders



Drilling depth: 5xdiameter

钻孔深度: 5x直径

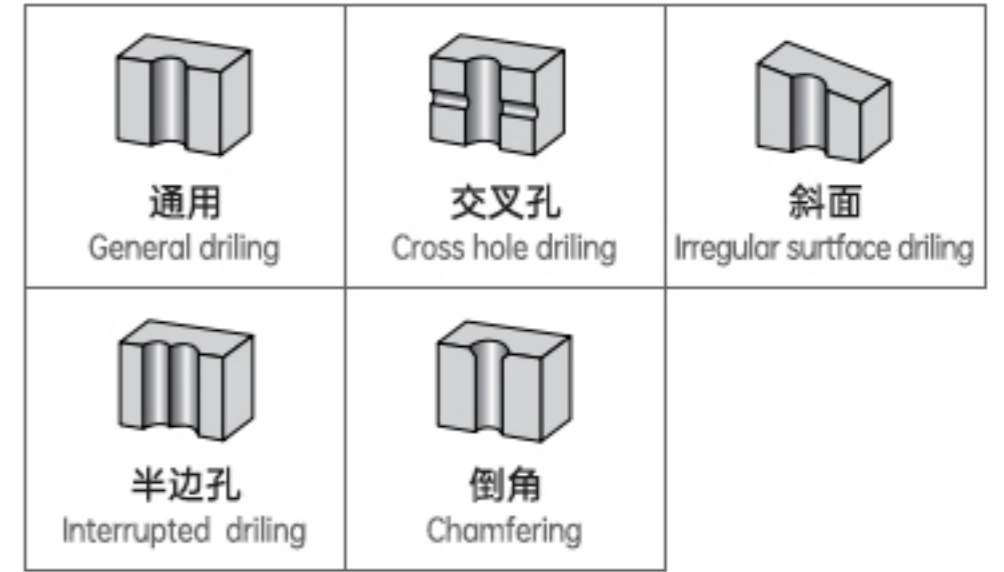
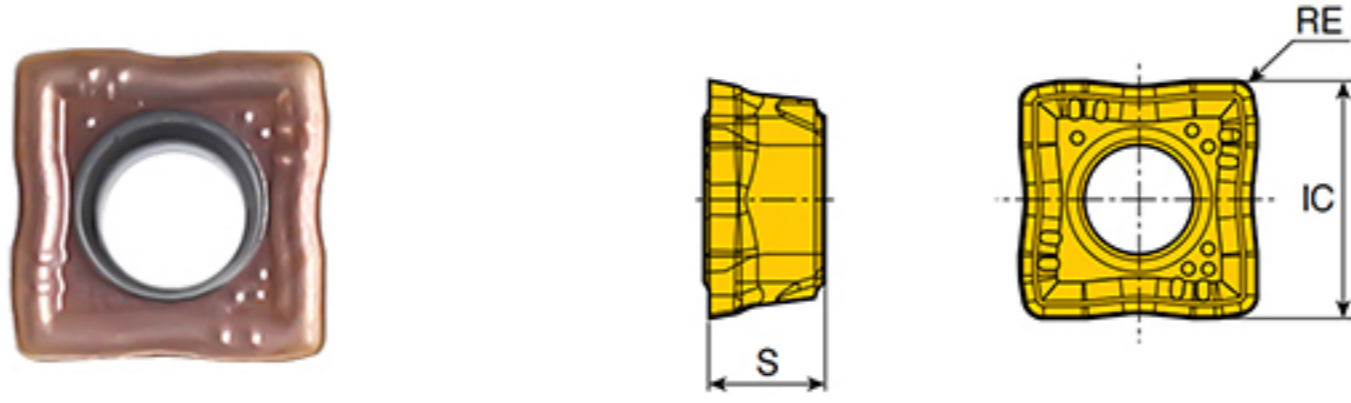
双螺旋内冷孔设计保障顺畅排屑
Helix type cooling hole accelerates smooth chip removal

型号 Designation	尺寸 Dimension (mm)					DF	DCONMS	CNT	螺钉 Screw	扳手 Wrench	刀片 Insert
	DC	LU	LPR	LS	OAL						
TOD-5D120-25-04	12.0	63.0	75.0	47	122.0	24	25	G1/4	M1.8x4	T6	SO□□04
TOD-5D125-25-04	12.5	65.5	77.5	47	124.5						
TOD-5D130-25-04	13.0	68.0	80.0	47	127.0						
TOD-5D135-25-04	13.5	70.5	82.5	47	129.5						
TOD-5D140-25-05	14.0	73.0	88.0	53	141.0						
TOD-5D145-25-05	14.5	75.5	90.5	53	143.5						
TOD-5D150-25-05	15.0	78.0	93.0	53	146.0						
TOD-5D155-25-05	15.5	80.5	95.5	53	148.5						
TOD-5D160-25-05	16.0	83.0	98.0	53	151.0						
TOD-5D165-25-06	16.5	85.5	100.5	53	153.5						
TOD-5D170-25-06	17.0	88.0	103.0	53	156.0						
TOD-5D175-25-06	17.5	90.5	105.5	53	158.5						
TOD-5D180-25-06	18.0	93.0	108.0	53	161.0						
TOD-5D185-25-06	18.5	95.5	110.5	53	163.5						
TOD-5D190-25-06	19.0	98.0	113.0	53	166.0						
TOD-5D195-25-07	19.5	100.5	115.5	53	168.5						
TOD-5D200-25-07	20.0	103.0	118.0	53	171.0						
TOD-5D205-25-07	20.5	105.5	120.5	53	173.5						
TOD-5D210-25-07	21.0	108.0	123.0	53	176.0						
TOD-5D215-25-07	21.5	110.5	125.5	53	178.5						
TOD-5D220-25-07	22.0	113.0	128.0	53	181.0						
TOD-5D225-25-08	22.5	115.5	130.5	53	183.5						
TOD-5D230-25-08	23.0	118.0	133.0	53	186.0						
TOD-5D235-25-08	23.5	120.5	135.5	53	188.5						
TOD-5D240-25-08	24.0	123.0	138.0	53	191.0						
TOD-5D245-25-08	24.5	125.5	140.5	53	193.5						
TOD-5D250-25-08	25.0	128.0	143.0	53	196.0						
TOD-5D255-25-08	25.5	130.5	145.5	53	198.5						
TOD-5D260-32-08	26.0	133.0	150.0	57	207.0	39	32	G1/4	M2.5x6	T8	SO□□08
TOD-5D265-32-09	26.5	135.5	152.5	57	209.5						
TOD-5D270-32-09	27.0	138.0	155.0	57	212.0						
TOD-5D275-32-09	27.5	140.5	157.5	57	214.5						
TOD-5D280-32-09	28.0	143.0	160.0	57	217.0						
TOD-5D285-32-09	28.5	145.5	162.5	57	219.5						
TOD-5D290-32-09	29.0	148.0	165.0	57	222.0						
TOD-5D295-32-09	29.5	150.5	167.5	57	224.5						
TOD-5D300-32-09	30.0	153.0	170.0	57	227.0						
TOD-5D305-32-09	30.5	155.5	172.5	57	229.5						
TOD-5D310-32-09	31.0	158.0	175.0	57	232.0						
TOD-5D315-32-09	31.5	160.5	177.5	57	234.5						
TOD-5D320-32-11	32.0	163.0	180.0	57	237.0						
TOD-5D325-32-11	32.5	165.5	182.5	57	239.5						
TOD-5D330-32-11	33.0	168.0	185.0	57	242.0						
TOD-5D335-32-11	33.5	170.5	187.5	57	244.5						
TOD-5D340-32-11	34.0	173.0	190.0	57	247.0						
TOD-5D345-32-11	34.5	175.5	192.5	57	249.5						
TOD-5D350-32-11	35.0	178.0	195.0	57	252.0						
TOD-5D355-32-11	35.5	180.5	197.5	57	254.5						
TOD-5D360-32-11	36.0	183.0	200.0	57	257.0						
TOD-5D365-32-11	36.5	185.5	202.5	57	259.5						
TOD-5D370-32-13	37.0	188.0	205.0	57	262.0						
TOD-5D375-32-13	37.5	190.5	207.5	57	264.5						
TOD-5D380-32-13	38.0	193.0	210.0	57	267.0						
TOD-5D385-32-13	38.5	195.5	212.5	57	269.5						
TOD-5D390-32-13	39.0	198.0	215.0	57	272.0						
TOD-5D395-32-13	39.5	200.5	217.5	57	274.5						
TOD-5D400-32-13	40.0	203.0	220.0	57	277.0						
TOD-5D405-32-13	40.5	205.5	222.5	57	279.5						
TOD-5D410-32-13	41.0	208.0	225.0	57	282.0						
TOD-5D415-32-13	41.5	210.5	227.5	57	284.5						
TOD-5D420-40-13	42.0	213.0	231.0	62	293.0						
TOD-5D425-40-13	42.5	215.5	233.5	62	295.5						
TOD-5D430-40-13	43.0	218.0	236.0	62	298.0						
TOD-5D435-40-13	43.5	220.5	238.5	62	300.5						
TOD-5D440-40-15	44.0	223.0	241.0	62	303.0						
TOD-5D445-40-15	44.5	225.5	243.5	62	305.5						
TOD-5D450-40-15	45.0	228.0	246.0	62	308.0						
TOD-5D455-40-15	45.5	230.5	248.5	62	310.5						
TOD-5D460-40-15	46.0	233.0	251.0	62	313.0						
TOD-5D465-40-15	46.5	235.5	253.5	62	315.5						
TOD-5D470-40-15	47.0	238.0	256.0	62	318.0						
TOD-5D475-40-15	47.5	240.5	258.5	62	320.5						
TOD-5D480-40-15	48.0	243.0	261.0	62	323.0						
TOD-5D485-40-15	48.5	245.5	263.5	62	325.5						
TOD-5D490-40-15	49.0	248.0	266.0	62	328.0						
TOD-5D495-40-15	49.5	250.5	268.5	62	330.5						
TOD-5D500-40-15	50.0	253.0	271.0	62	333.0						

SOMX 刀片 TOD系列

TOD Series

Drilling Inserts



型号 Designation	尺寸 Dimension (mm)					材质 Grade		
	IC/大小	S/厚度	RE/圆角	Screw/螺丝	Wrench/扳手	SC8025W	SC7025W	SC4010W
SOMX040204-DM	4.4	2.38	0.4	M1.8x4	T6	●	●	●
SOMX050204-DM	4.9	2.38	0.4	M2.0x5	T6	●	●	●
SOMX060204-DM	5.7	2.38	0.4	M2.2x6	T6	●	●	●
SOMX070306-DM	6.8	2.80	0.6	M2.2x6	T6	●	●	●
SOMX08T306-DM	7.9	3.97	0.6	M2.5x8	T8	●	●	●
SOMX09T308-DM	9.2	3.97	0.8	M3.5x8	T10	●	●	●
SOMX11T308-DM	11.0	3.97	0.8	M3.5x8	T10	●	●	●
SOMX130408-DM	12.8	4.40	0.8	M4.0x10	T15	●	●	●
SOMX150510-DM	15.0	4.80	1.0	M5.0x12	T20	●	●	●

● 库存

加工材质: SC8025W 钢件 SC7025W 不锈钢 SC4010W 钛合金、难加工

GRADE: SC8025W Steel SC7025W Stainless Steel SC4010W Titanium alloy, Hard material

钻杆相关信息请参照第2-5页

TOD产品特点 / Product Features

- 01** 超过HRC50度的高硬度刀体，高刚性延长刀片的寿命
High hardness drill body over HRC50, High rigidity prolongs the tool life



- 02** 双螺旋内冷设计扩大了槽深和冷却孔径，排屑更顺畅
Double helix coolant design expands flute depth and hole diameter, Smoother chip flow



- 03** 特殊的表面处理起到减少阻力和提高耐磨损的性能
Special surface treatment reduces resistance, Improve wear resistance performance.



- 04** 采用四刃设计和内外相同刀片，达到更高的经济性
Adopting a four cornered design and same internal and external inserts to achieve higher economic efficiency.

